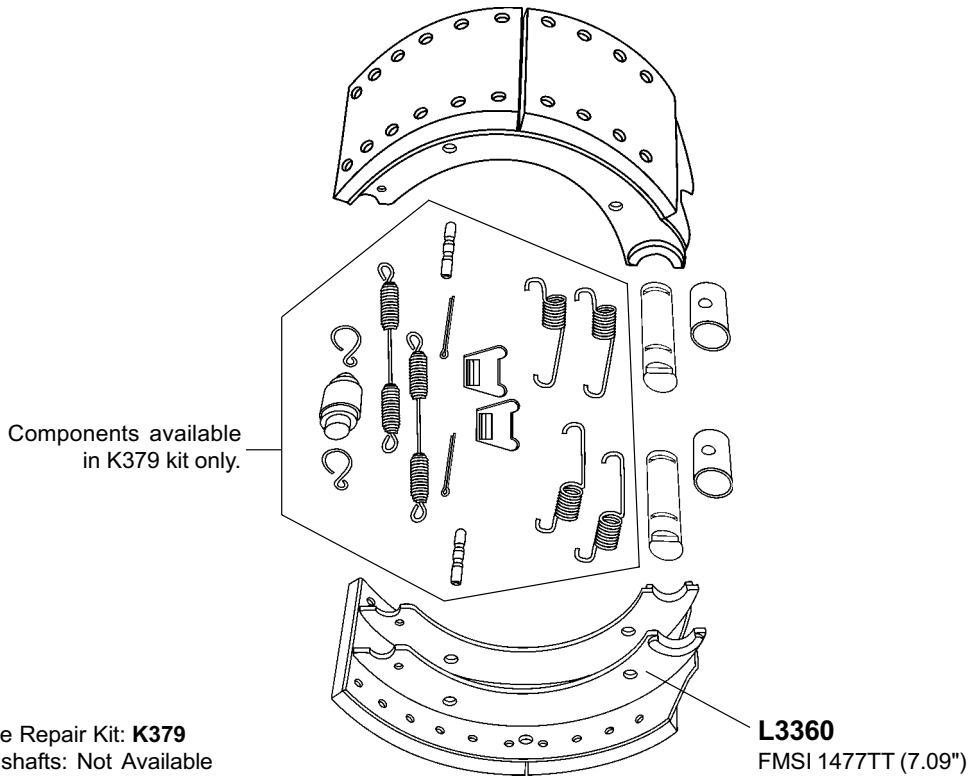


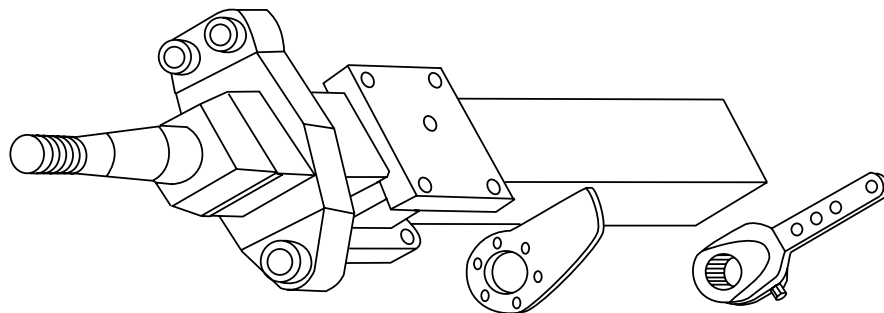
LELAND REPLACEMENT PARTS FOR  
**BPW - BERGISCHE ACHSEN**  
**FOR 16.53" x 7.09" BREMSBELAG (BRAKE)**  
**USED ON THEURER CONTAINER CHASSIS & TRAILER**

Schematic  
 Diagram  
 Charts

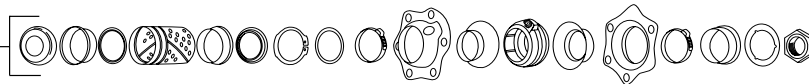
**4**



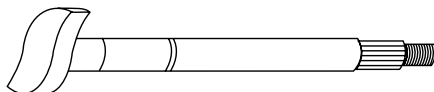
**16.53" x 7.09" CAM ASSEMBLY PARTS**



Components available in K379 kit only.



Cam Repair Kit: **K513**  
 Camshafts: Not Available



**B  
P  
W**

# BRAKE REPAIR KIT

## BPW - BERGISCHE ACHSEN

### K379

For BPW 16.53" x 7.09"  
Bremsbelag (Brake)

Contents:

- 2 Pcs. - Cam Roller
- 4 Pcs. - Roller Retainer Clip
- 2 Pcs. - Return Spring
- 2 Pcs. - Return Spring Pin
- 4 Pcs. - Retainer Spring
- 2 Pcs. - Cotter Pin
- 2 Pcs. - Anchor Lock Plate

Contains parts to service one wheel.



**TIP** Individual parts available in kit only.  
Used with L3360 Brake Shoe

Schematic  
Diagram  
Charts

4

# CAM REPAIR KIT

## BPW - BERGISCHE ACHSEN

### K513

For BPW 16.53" x 7.09"  
Bremsbelag (Brake)

Contents:

- 2 Pcs. - Bronze Spider Bushings,  
1.66" ID x 1.82" OD x 2.86" LG
- 2 Pcs. - Spherical Bracket Bushings,  
1.66" ID x 1.5" LG
- 4 Pcs. - Cam Bracket Caps
- 8 Pcs. - Bracket Cap Bolts
- 2 Pcs. - Nut, Washer and Seal Assembly
- 4 Pcs. - Oil Seals

Contents available in kit only.

Contains parts to service one axle.



B  
P  
W