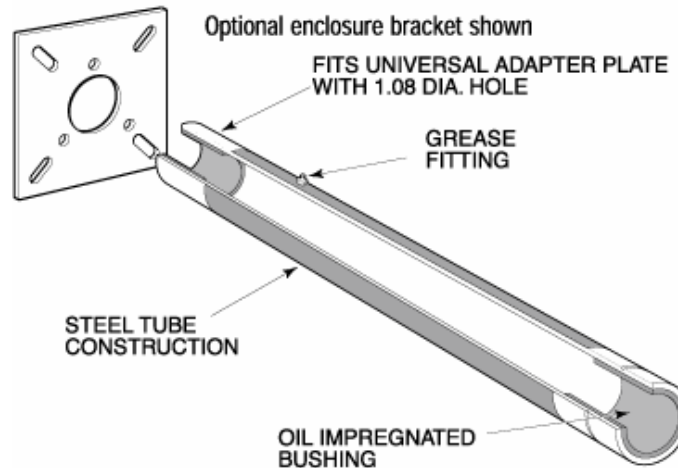




# CAMSHAFT TUBES



## CAMSHAFT TUBES (ENCLOSURES) AND BRACKETS

Leland #	Description	Axle - Suspension Application	Cam Tube Dimensions	Camshaft Under Head Length	Replaces	
L5000	Camshaft Tube Standard length	Standard length camshafts LH & LH spring suspension	1 7/8" OD x 1 1/2" ID x 17 3/4"	20 3/8"	Euclid # E-4737A Haldex # C65203 Batco # 03-146	Spicer # 31-1401 IMT #999195-205 Trailmobile # 46-5-095 Dayton # 03146/03153
L5001	Camshaft Tube Dana & IMT Suspensions	Air-Ride Suspensions Dana & IMT Suspensions	1 7/8" OD x 1 1/2" ID x 21"	23 3/4"	Euclid #E-4738A Dayton #3147 Spicer #31-1402 Batco #03-147	Haldex #C65209 Trailmobile #46-5-096 384738A IMT #999195-206
L5002	Camshaft Tube Special Short	Special Short camshaft Dana & Rockwell axles	1 7/8" OD x 1 1/2" ID x 14 3/4"	17 3/8"	Euclid # E-9591 Dayton # 3149 Spicer # 31-1400	Haldex # C65200 Batco# 03-149
L5003	Camshaft Tube Wide Track	Air-Ride Wide Track Dana Axles	1 7/8" OD x 1 1/2" ID x 23 5/8"	26 1/4"	Euclid # E-9592 Dayton # 3150 Spicer # 31-1420	Haldex # C56213 Batco# 03-150
L5004	Camshaft Tube Chalmers Air-Ride	Chalmers Air-Ride Suspension Dana, Rockwell, IMT, & Eaton Axles	1 7/8" OD x 1 1/2" ID x 16"	18 5/8"	Euclid # E-9593 Spicer # 31-1403	Haldex # C65202 Dayton # 3136/3151 Batco # 03-136/03-151 IMT # 999195-185
L5005	Camshaft Tube Dana Lowbed - late model	Dana Lowbed axle with late model 12 1/4" brakes	1 7/8" OD x 1 1/2" ID x 20 1/2"	23 1/4"	Euclid # 9596 Dayton # 3154 Spicer # 31-1412	Batco # 03-154 Haldex # C65208
L5006	Camshaft Tube Dana Lowbed - late model	Dana Lowbed axle with late model 12 1/4" brakes	1 7/8" OD x 1 1/2" ID x 18 1/2"	21 1/8"	Euclid # E-9597 Dayton # 3155 Spicer # 31-1413	Batco # 03-155 Haldex # C65204
L5007	Camshaft Tube Fruehauf	Fruehauf	2" OD x 1 5/8" ID x 13 3/4"	16 1/8"	Euclid # E-4934A Dayton # 3160 Spicer # 31-1430	Batco # 03-160 Haldex # C65229
L5008	Camshaft Tube Fruehauf	Fruehauf	2" OD x 1 5/8" ID x 19"	21 1/8"	Euclid # E-5241A Dayton # 3161 Batco # 03-161	Spicer # 31-1431 Haldex # C65230

Leland #	Description	Axle - Suspension Application	Cam Tube Dimensions	Camshaft Under Head Length	Replaces	
L5009	Camshaft Tube Meritor Axles	Meritor Axles	2" OD x 1 5/8" ID x 18"	20 7/16"	Euclid # E5243A Dayton # 3181 Batco # 03-181	Spicer # 31-1441 Haldex # C65227
L5010	Camshaft Tube Meritor Spider	Meritor Spider **Special spider bracket required: Leland L1078, Meritor A3105, Euclid E-6076	2" OD x 1 5/8" ID x 21 5/8"	24 1/8" 1 5/8" - 1 1/2" journal	Euclid # E-5244A Dayton # 3181 Batco # 03-181	Spicer # 31-1441 Haldex # C65227
L5011	Camshaft Tube	Meritor cam enclosure (certain models require special 4-hole spider bracket)	2" OD x 1 5/8" ID x 14 3/16"	17 3/8" 1 5/8" - 1 1/2" journal	Euclid # E5242A Dayton # 3182 Batco # 03-182	Spicer # 31-1439 Haldex # C65216
L5012	Camshaft Tube Eaton 501	Eaton 501 Series Air-Ride length single axle pin 16 1/2" brakes	2" OD x 1 5/8" ID x 17"	19 1/2" 1 5/8" - 1 1/2" journal	Euclid # E-9601 Dayton # 3183 Batco # 03-183	Spicer # 31-1442 Haldex # C65217
L5013	Camshaft Tube Eaton 501	Eaton 501 Series Air-Ride length single axle pin 16 1/2" brakes	2" OD x 1 5/8" ID x 21"	23 3/4" 1 5/8" - 1 1/2" journal	Euclid # E-9602 Dayton # 3184 Batco # 03-184	Spicer # 31-1443 Haldex # C65235
L5014	Camshaft Tube Hendrickson INTRAAX	Hendrickson INTRAAX	2" OD x 1 5/8" ID x 8 13/16"	11 13/16"	Euclid # E-11497 Batco # 03-145	
L5070	Camshaft Tube Dana	Dana axle w/1 5/8" Camshaft 12 1/4" brakes	2"OD x 1 5/8" ID x 20 1/2"	23 1/4"	Euclid # E-10942 Batco # 31-1462	

## Brackets

Leland #	Description	Cam Bracket Application	Bracket Dimensions		Replaces
L5015	Camshaft Enclosure Bracket Dana	Adapter Plate with Haldex Adjuster Control Arm Slot	1 7/8" OD Cam Enclosure		Euclid # E-10946
L5016	Camshaft Enclosure Bracket Universal	Universal Bracket IMT - Spicer & Rockwell Axles	4"x 4" x 1/8" thick 1 7/8" OD Cam Enclosure		Euclid # E-4739 Dayton # 3168 Batco # 03-168 Spicer # 31-1405 Trailmobile # 46-4-097
L5017	Camshaft Enclosure Bracket Meritor	Meritor Bracket	Meritor 2" OD Cam Enclosure 3 3/8" x 3 3/8" x 1/8" thick		
L5018	Camshaft Enclosure Bracket Fruehauf Propar	Fruehauf Propar Bracket	4"x 4" x 1/8" thick 2" OD Cam Enclosure		Euclid # 4935 Batco # 03-169 Spicer # 31-1408
L5019	Camshaft Enclosure Bracket Universal	Universal Bracket	4"x 4" x 1/8" thick 2" OD Cam Enclosure		Euclid # E-8906 Dayton # 3170 Batco # 03-170 Spicer # 31-1406
L5020	Camshaft Enclosure Bracket Dana	Adapter Plate with Haldex Adjuster Control Arm Slot	2" OD Cam Tube		Euclid # E-10947 Dayton # 3169 Batco # 03-169
L5071	Camshaft Enclosure Bracket Dana	Adapter Plate w/Haldex style Adjuster Control Arm slot.	2" OD Cam Tube		Euclid # E-10947